

MFT 0100 MOULDING MACHINE

MFT 0100

For flat bottom products made from pliable mixes.

State of the art flat bottom moulding machines. Various types of pliable mixes can be used to form products into unlimited shapes with a flat bottom. With almost 70 years experience, our proven designed machines offer the best performance, durability and ease of operation. The changeover of the moulding roller is a simple one man job with no special tools required. Various options are available to satisfy customer needs.

Construction details:

- + table-top machines
- + for small to medium production capacities
- + fully automatic mode of operation
- + easy tool change and quick cleaning
- + low-priced moulding rollers



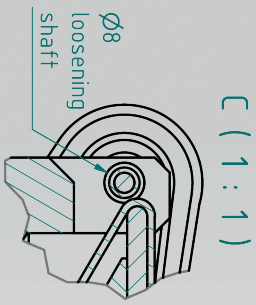
TECHNICAL DATA

Machine	length (mm)	width (mm)	height (mm)	weight (kg)	working width (mm)
MFT 0100	750	550	940	81 / 85	95

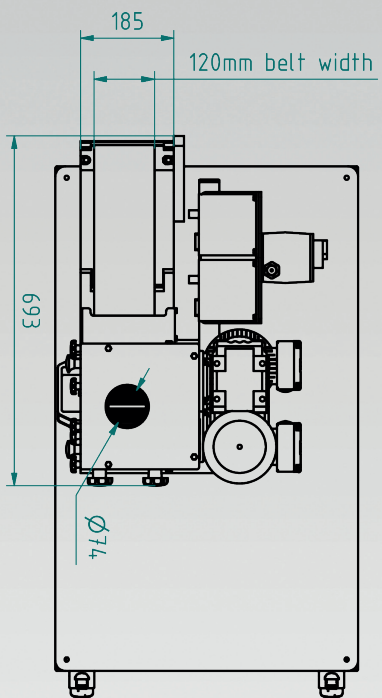
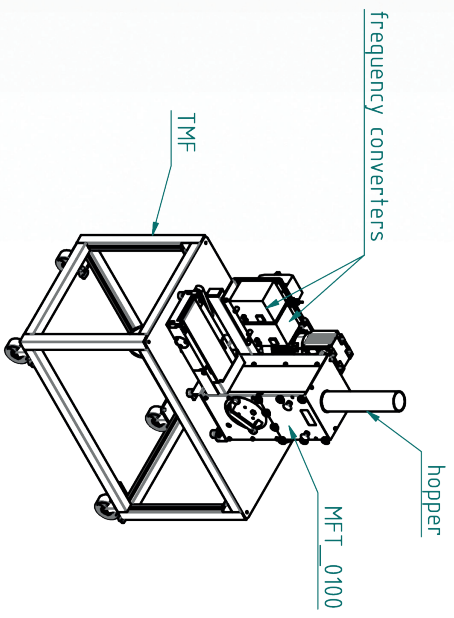
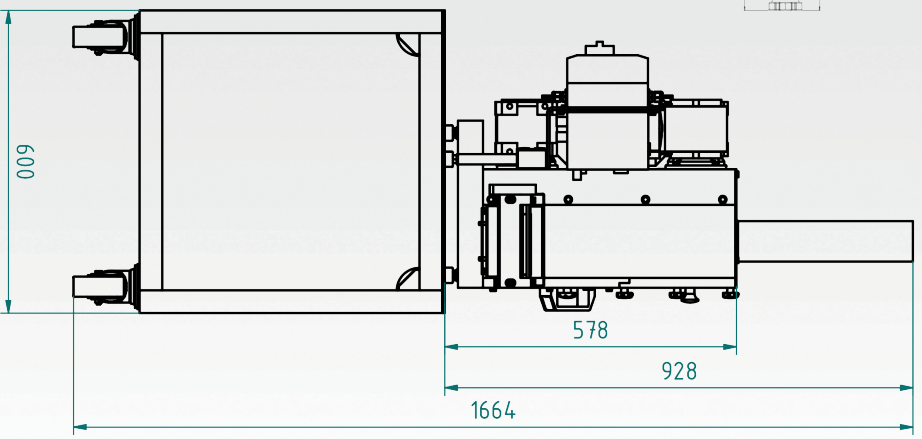
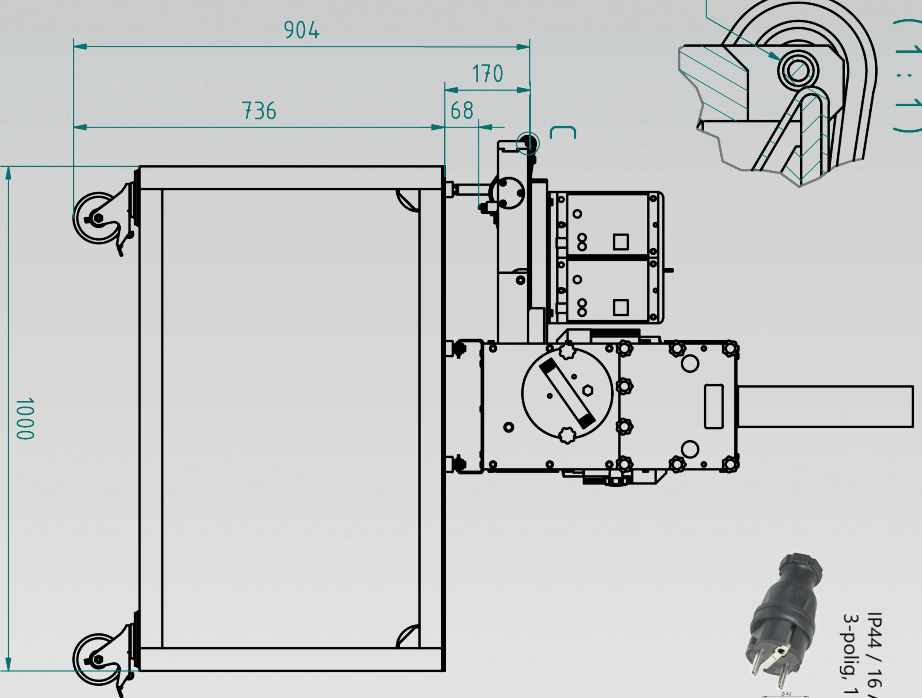
	Voltage	driving capacity (kW)	control voltage	compressed air supply (bar)
MFT 0100	230V/50-60Hz/16A	0,5	24V/DC	---

	output (m ³ /h)	kg/h	pcs/h	m/min	kg/h	pcs/h
	Bar (80/20/10mm)	Marzipan			Marzipan	(D=10, H=15MM)
MFT 0100	0,113	128	7.066	0,5 - 3,9	48	54.176





C (1:1)



TECHNICAL DATA
electric data:
 operation voltage: 230 V, 50/60 Hz
 1 phase, 1 neutral, 1 earth
 pre-fuse max.: 16 A
 power: 0,5 kW; 2 kVA

production data:
 production speed: 0,5 – 3,9 m/min

		Web site: www.krueger-saleckers.com Tel: +49 53 27084 Ref: 2		Identification: order part: IM 50 102 Ref: 2		Maßstab	(Gewicht)
		REVISIONSVERLAUF Änderung Wert Datum Name Bearb. Datum Wert Wert Name Konst. Norm A3 Kom.-Nr.: Ursprung		Benennung Tabletop moulding machine		Zeichnungs-Nr. ANG_01_481_MFT_0100	
		Ersatz für:		Ersatz durch:		Blätter	